

SATAKE RNEZS4000 Optical Sorter

High capacity, full color, **precision optical sorting** with secondary and tertiary resort options.



Pictured is the RNEZS4000BI:

- 6 chute model
- Up to 20 tons per hour capacity on grains
- Continuous real-time sampling area
- Available resort and channel chute options



For more information:
www.satake-usa.com/rnezs





The new **RNEZS4000** is a full color, high capacity, cost-effective optical sorter for product applications such as wheat, lentils, peas and other grains.

SATAKE
www.satake-usa.com

FEATURES AND BENEFITS

Full Color Camera - Full color camera technology views product similar to the human eye. The slightest color deviations can be detected.

Advanced Touch Screen - Easy to use touch screen interface, similar to a smart phone or tablet with touch and flick scrolling, offer advanced settings and configurations.

Easy Change Over Options - The RNEZS sorter offers many change over options that are simple to switch. Changing the chutes, LEDs, and or ejectors is a quick and hassle-free process.

Automatic Sensitivity Calibration - The machine incorporates patent-pending software, Satake Smart Sensitivity (3S), to automatically create ideal settings. Individual sensitivity adjustment is available for fine tuning.

LED Lighting - Long-lasting LED lighting, rated at up to 30,000 hours, ensures many years of consistent and trouble-free use.

Three-Stage Sorting System - Optional secondary and tertiary resort options provide the highest quality final product minimizing reject percentages.

TYPICAL APPLICATIONS



Wheat



Lentils



Oats



Flaxseed

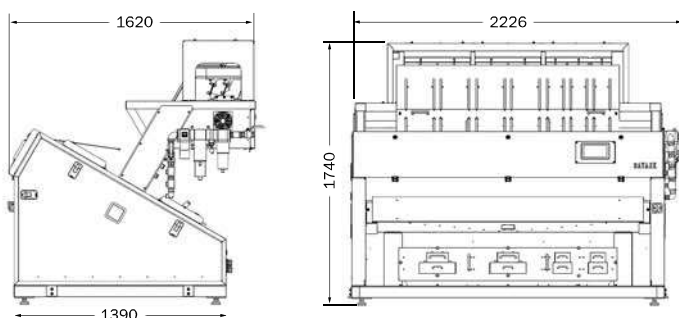


Sunflower



Chickpeas

DIMENSIONS (mm.)



SPECIFICATIONS

MODEL		4000BI	4000AIS	4000DIS
Chute	Primary	All Primary (6)	Primary and (4)	Primary, (4)
	Secondary		Secondary (2)	Secondary and (2)
	Tertiary			Tertiary (1)
Capacity (t/h)*		1.0 - 20.0	1.0 - 16.0	1.0 - 16.0
Power Supply (V)		Single Phase 200 - 240		
Power Required (kW)	Normal	0.6		
	Maximum	1.3		
Required Air Volume (NL/min)		600 - 1500		
Dust Collector (m ³ /min)		12		
[Optional]				
Compressor (kW)		5.5 - 11.0		
Net Weight (kg)		1000		
Dimensions (mm)		2226 x 1620 x 1740		
[Width x Length x Height]				
Operating Environment		Temperature: 0°C to 40°C (Install heater when ambient is below 10°C) Humidity: 85% or less (non-condensing)		

*Estimated total sorting capacity is based on a number of factors such as product type, incoming purity level, etc.

NORTH, CENTRAL, SOUTH AMERICA

Satake USA, Inc. (Corporate Office)
Tel: 281-276-3600
Fax: 281-494-1460
Houston, Texas USA
vision@satake-usa.com

WEST COAST USA

Satake USA, Inc.
Tel: 209.551.3203
Fax: 209.551.0841
Modesto, California USA
pjimenez@satake-usa.com

EUROPE, MIDDLE EAST, AFRICA

Satake Europe Limited
Tel: 44.161.406.3800
Fax: 44.161.406.3801
Stockport, Cheshire, England
sales@satake-europe.com