

# PIKASEN alpha

## FMS-2000

**SATAKE**  
www.satake-usa.com

## COMPACT FULL COLOR RGB OPTICAL SORTER

- ▶ Portable and cost-effective full color RGB optical sorting
- ▶ Small and medium size production applications
- ▶ Ideal for lower capacities, laboratory use, and research and development
- ▶ 240mm wide chute
- ▶ Consistently sort from one to 4,000 pounds per hour
- ▶ High resolution (0.14mm/pixel) cameras with long-life, low energy consumption lighting

### FEATURES AND BENEFITS

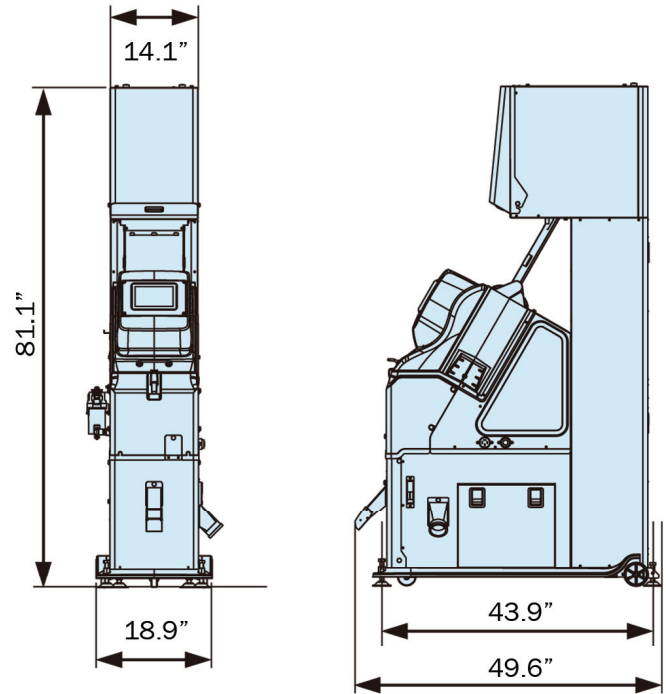
- ▶ Full color RGB cameras
- ▶ Integrated dust aspiration system
- ▶ Satake Smart Sensitivity (3S) system
- ▶ Touch screen similar to smart phone
- ▶ 2 chute options (flat, u-groove)
- ▶ Easy cleaning and maintenance
- ▶ Roller wheels with small footprint



## SORTING EXAMPLES



## MACHINE DIMENSIONS



## SPECIFICATIONS

MODEL	PIKASEN FMS-2000
Capacity	1 pound to 4,000 pounds
Raw Material Supply	Gravity-fed Cascade System
Camera	Full Color RGB (2)
Light Source	CCFL (20,000 hours)
Chute Width (mm)	240
Control Panel	Full Color Touch Panel
Power Supply	Single Phase AC200-240
Power Consumption (KW)	0.6
Air Consumption (CFM)	8-10
Net Weight (lbs.)	350
Dimensions (in.)	81.1H x 14.1W x 49.6D
Portability	Integrated Wheels

## INTUITIVE INTERFACE



### NORTH, CENTRAL, SOUTH AMERICA

#### Satake USA, Inc. (Corporate Office)

Tel: 281.276.3600  
Fax: 281.494.1460  
Houston, Texas U.S.A.  
vision@satake-usa.com

### WEST COAST USA

#### Satake USA, Inc.

Tel: 209.551.3203  
Fax: 209.551.0841  
Modesto, California U.S.A.  
jsargent@satake-usa.com

### EUROPE, MIDDLE EAST, AFRICA

#### Satake Europe Limited

Tel: 44.161.406.3800  
Fax: 44.161.406.3801  
Stockport, Cheshire U.S.A.  
sales@satake-europe.com