

# PIKASEN FMS2000-F

**SATAKE**  
www.satake-usa.com

## COMPACT FULL COLOR RGB OPTICAL SORTER

- ▶ Portable and cost-effective full color RGB optical sorting
- ▶ Small and medium size production applications
- ▶ Ideal for lower capacities, laboratory use, and research and development
- ▶ 240mm wide chute with vibratory feeder system
- ▶ Consistently sort from one to 4,000 pounds per hour
- ▶ High resolution (0.14mm/pixel) cameras with long-life, low energy consumption lighting

### FEATURES AND BENEFITS

- ▶ Full color RGB cameras
- ▶ Ability to sort by size and shape
- ▶ Satake Smart Sensitivity (3S) system
- ▶ Touch screen similar to smart phone
- ▶ 2 chute options (flat, u-groove)
- ▶ Easy cleaning and maintenance
- ▶ Roller wheels with small footprint

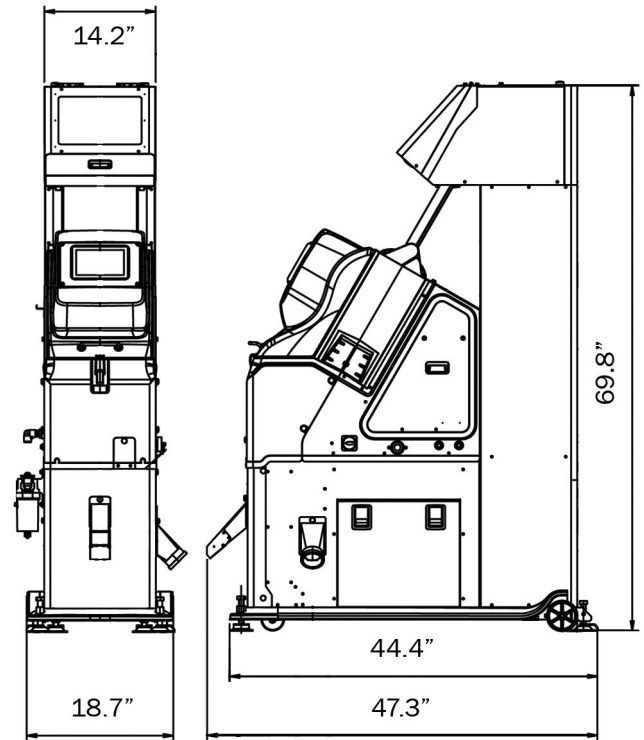


# PIKASEN FMS2000-F

**SATAKE**  
www.satake-usa.com

## SORTING EXAMPLES

## MACHINE DIMENSIONS



## SPECIFICATIONS

## INTUITIVE INTERFACE

MODEL	PIKASEN FMS2000-F
Capacity (lbs.)	1 - 4,000
Raw Material Supply	Vibratory Feeder System
Camera	2 x Full Color RGB
Light Source (hrs.)	CCFL (20,000)
Chute Width (mm)	240
Control Panel	Full Color Touch Panel
Power Supply	Single Phase AC200-240
Power Consumption (kw)	0.6
Air Consumption (cfm)	8-10
Net Weight (lbs.)	350
Dimensions (in.)	69.8H x 18.7W x 47.3D
Portability	Integrated Wheels



### NORTH, CENTRAL, SOUTH AMERICA

**Satake USA, Inc. (Corporate Office)**

Tel: 281.276.3600  
Fax: 281.494.1460  
Houston, Texas U.S.A.  
vision@satake-usa.com

### WEST COAST USA

**Satake USA, Inc.**

Tel: 209.551.3203  
Fax: 209.551.0841  
Modesto, California U.S.A.  
jsargent@satake-usa.com

### EUROPE, MIDDLE EAST, AFRICA

**Satake Europe Limited**

Tel: 44.161.406.3800  
Fax: 44.161.406.3801  
Stockport, Cheshire U.S.A.  
sales@satake-europe.com